

Door Hinges

グループ 5
丁番



5



.....62



.....64



.....64



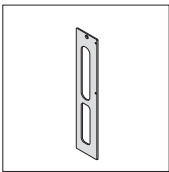
.....65



3D67



.....72



.....73



.....74

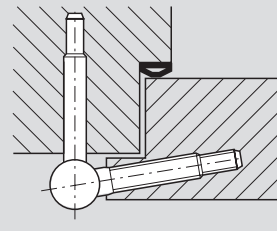
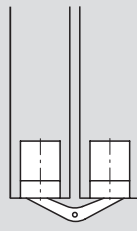
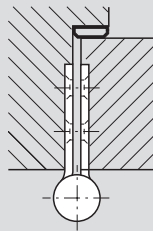


3D75

1.
-
-

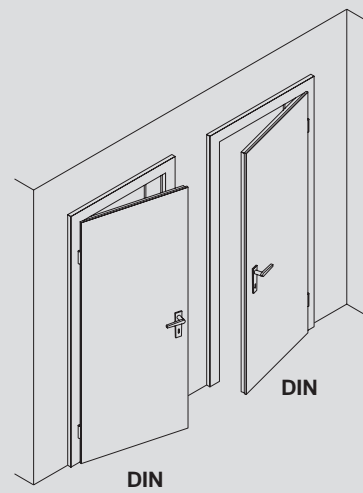
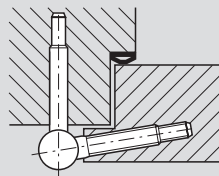
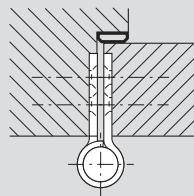
2.
-
-

3.
-
-



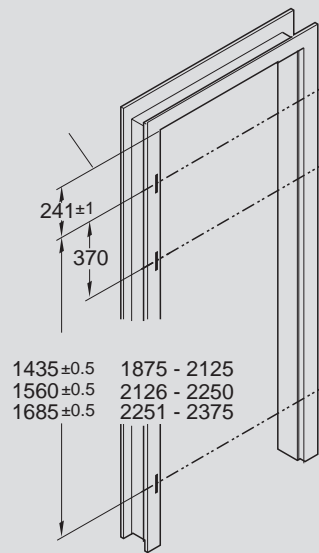
/ DIN

•



DIN18268

241±1mm
3
2000mm
1435±0.5mm
370mm



5

1000mm² 2000mm 2
3

1000mm

-
-
-
-
-
-

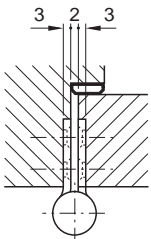
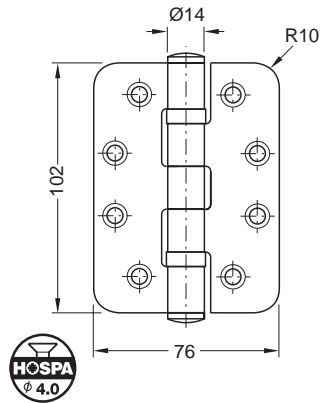
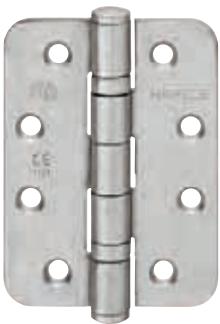
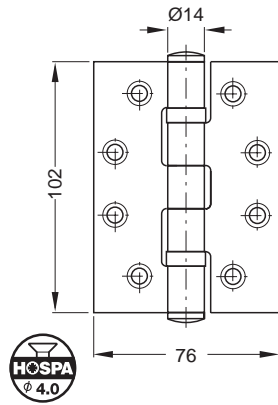
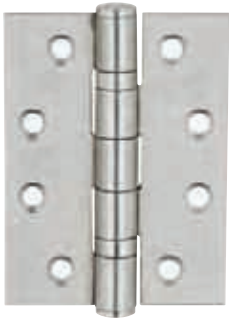
a) ÷ = X
b) 2 - X =

2000mm
1100mm
40kg

a) 2000 ÷ 1100 = 1.82
b) 2 - 1.82 = 0.18
= 18%

40kg² 1.18 = 47.2kg
47.2kg

102² 76 mm



- -
 -
 -
 -
 -
 -
- 80kg以下 (丁番3個使用時)**
14mm
3mm

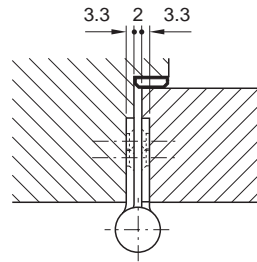
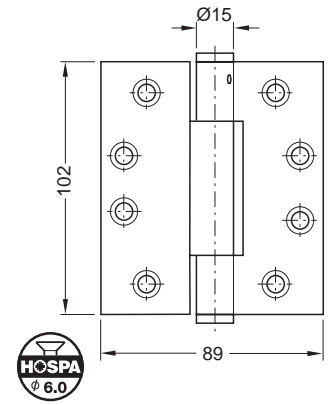
2

		926.90.203	
		926.90.213	2
		926.90.280	2
		926.90.290	2

1 10



102² 89 mm

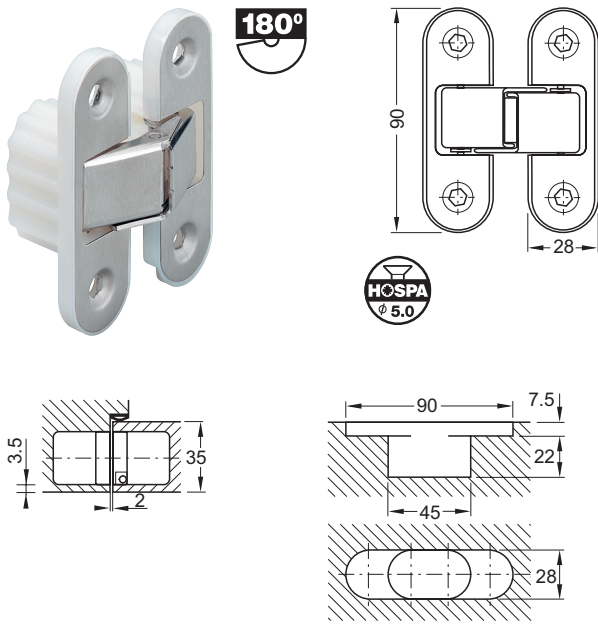


- -
 -
 -
 -
 -
 -
- SUS316**
160kg以下 (丁番3個使用時)
15mm
3.3mm

SUS316		926.94.203	
			2



INOX

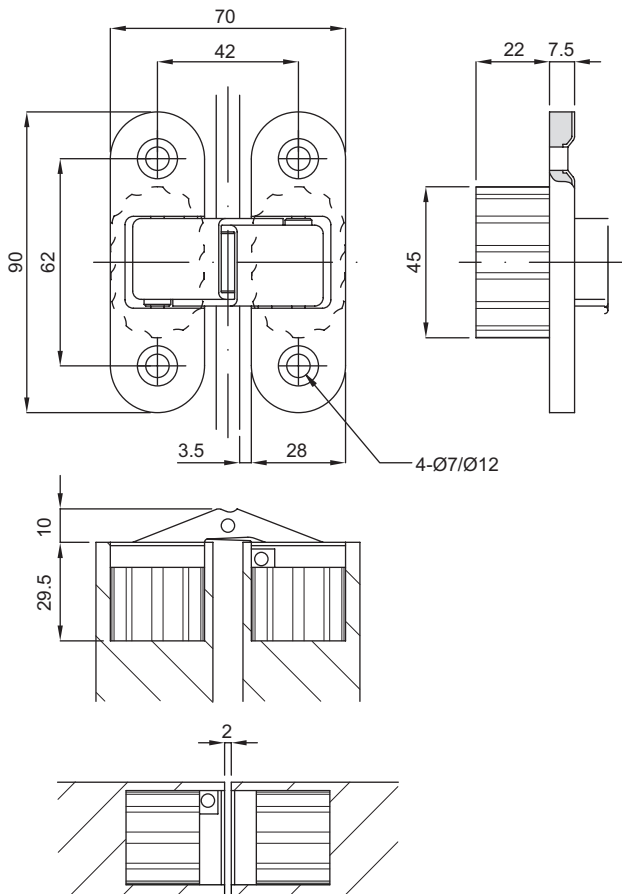


40kg以下 (丁番2個使用時)
35mm以上

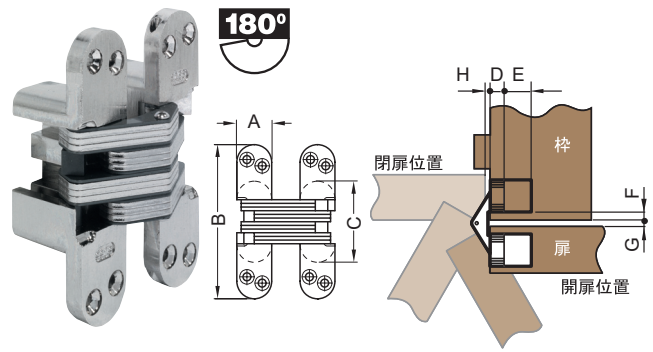
SUS304/
SUS304/

INOX	927.51.003
------	------------

1 24



SOSS®



	mm							
	A	B	C	D	E	F	G	H
28 - 34mm	19.1	95.3	52.4	9.5	17.9	4.8	4	1.2
35 - 38mm	25.4	117.5	65.9	11.9	24.6	6.4	5.6	1.6
41 - 45mm	28.6	117.5	61.9	10.3	31.4	6.4	9.5	1.2
48 - 51mm	34.9	139.7	74.6	11.9	37.3	7.1	12.7	1.6



9

28 - 34mm	341.07.554 2	341.07.754 2
35 - 38mm	341.07.563 2	341.07.763 2
41 - 45mm	341.07.572 2	341.07.772
48 - 51mm	341.07.581 2	341.07.781

1 2



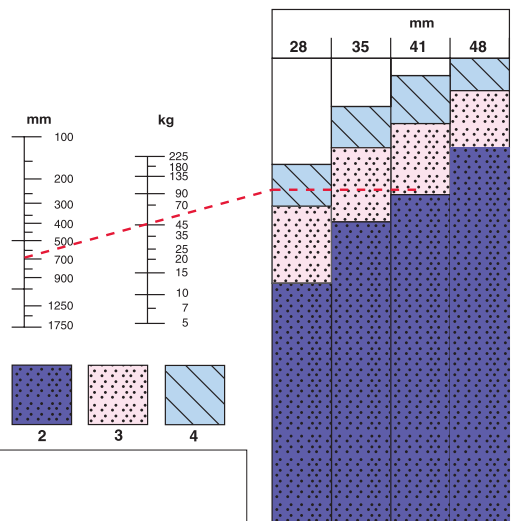
28 - 34mm/35 - 38mm
41 - 45mm/48 - 51mm

1.
2.

3.

762mm

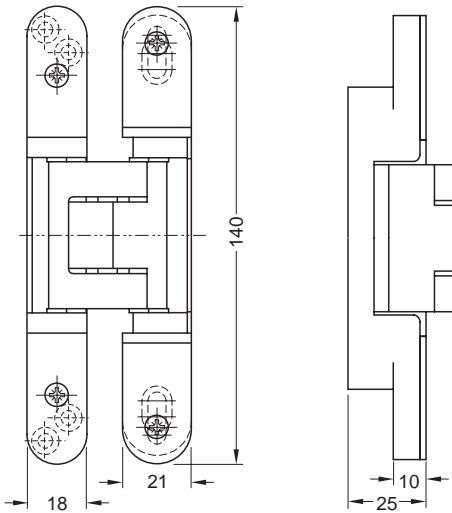
700mm 45kg 41mm
341.07.572 341.07.772 3



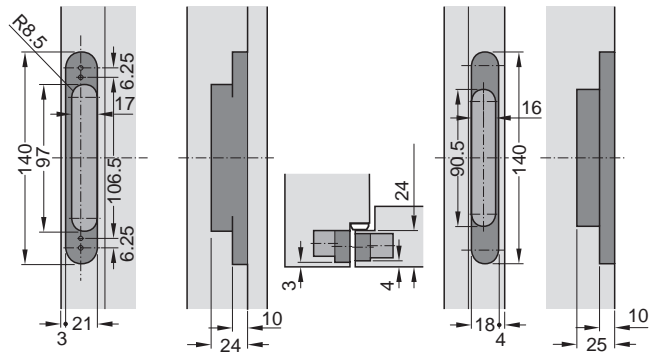
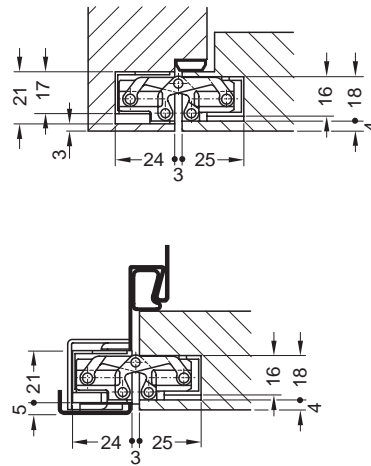
TECTUS 3D



TECTUS TE 210 3D



- /
- /
- **40kg**以下 (丁番**2**個使用時)
- **140mm**
- **24mm**以上
- **180°**
- **16mm**
- **30mm**
- ±3mm
- ±2.5mm
- ±1.5mm
-
-



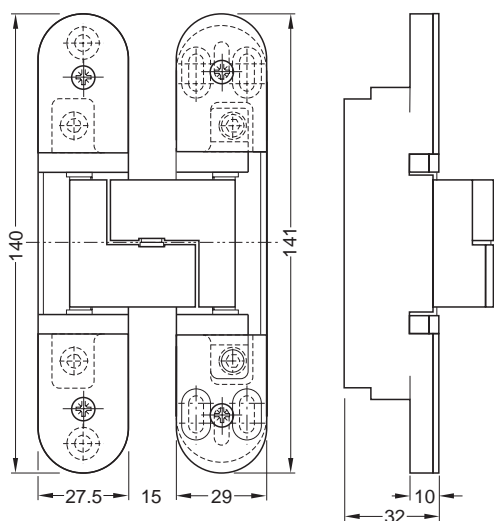
5

		924.08.021 2
		924.08.022 2
		924.08.004 2

2

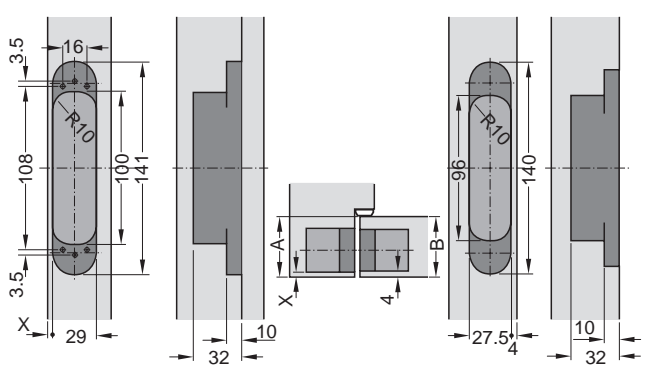
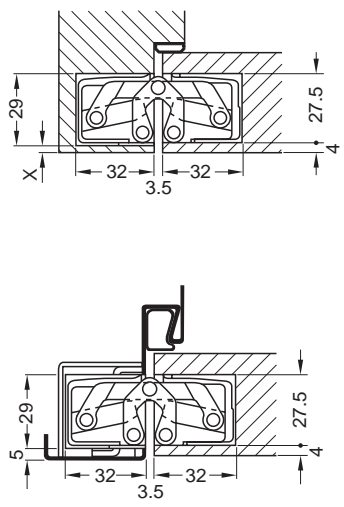
	▶	73
	▶	73
	▶	73
	▶	72

TECTUS TE 310 3D



5

- /
- /
- **60kg**以下 (丁番**2**個使用時)
- **140/141mm**
- **35mm**以上
- **180°**
- **24mm**
- **30mm**
- ±3mm
- ±3mm
- ±1mm
-
-



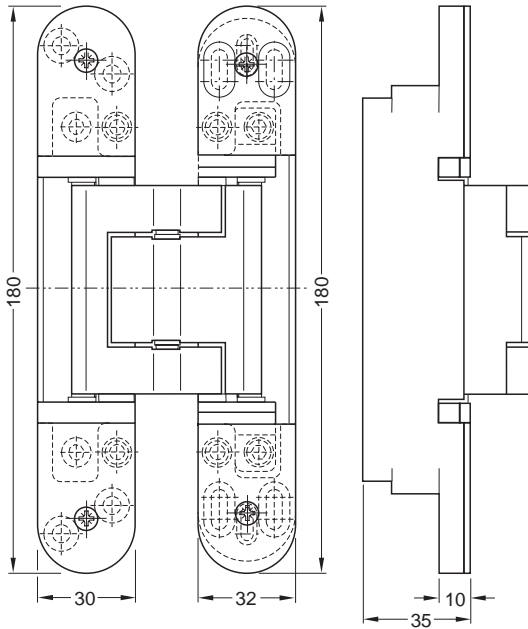
A =
 B =
X = A - B + 4
 X 4 - 6.5mm
 X = 5mm

		924.02.021 2
		924.02.022
		924.02.004 2

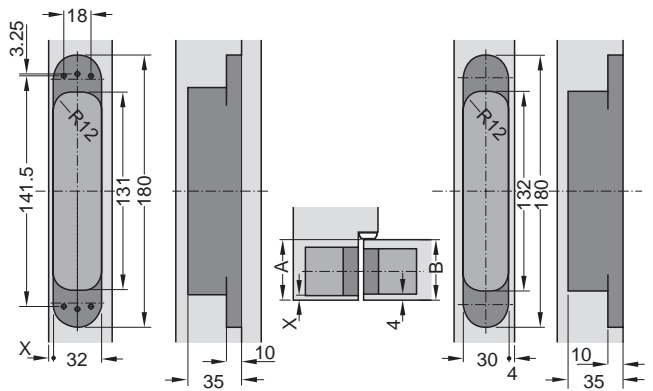
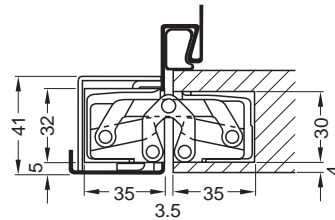
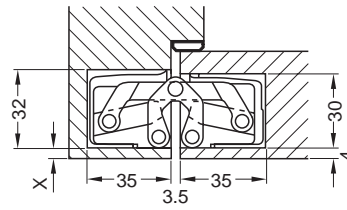
2

	▶	73
	▶	73
	▶	73
	▶	72

TECTUS TE 510 3D



- /
- /
- **100kg**以下（丁番2個使用時）
- **180mm**
- **40mm**以上
- **180°**
- **24mm**
- **30mm**
- ±3mm
- ±3mm
- ±1mm
-
-



A =
 B =
X = A - B + 3
 X 3 - 5mm
 X = 5mm

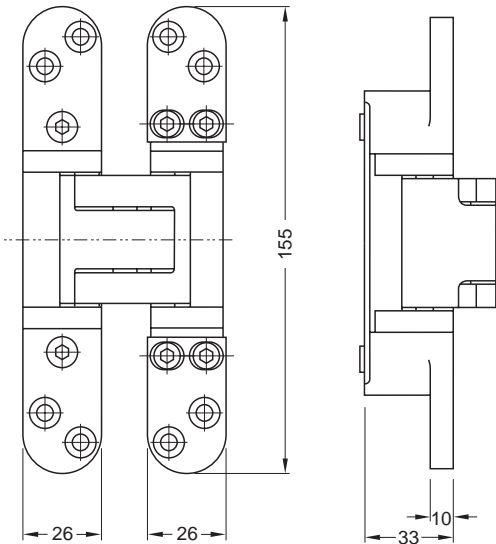
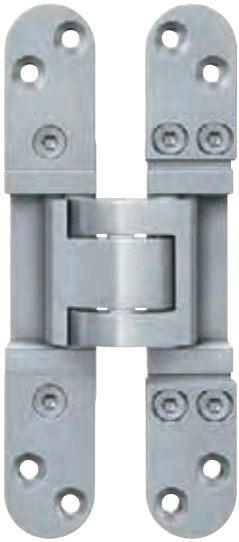
		924.02.221 2
		924.02.222 2
		924.02.204 2

2

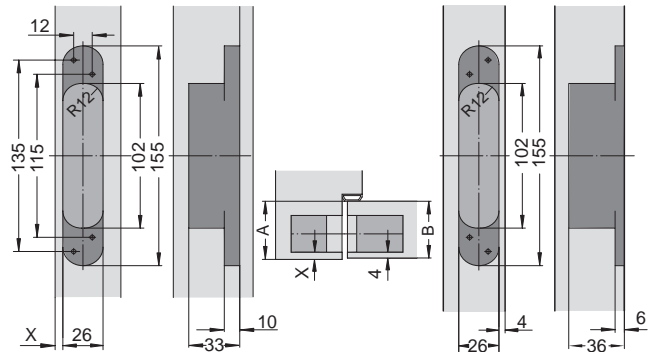
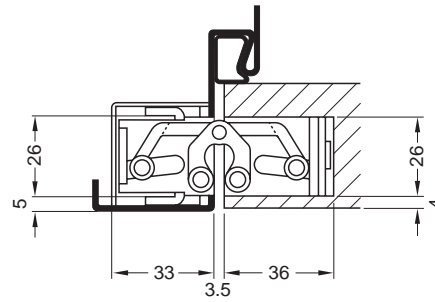
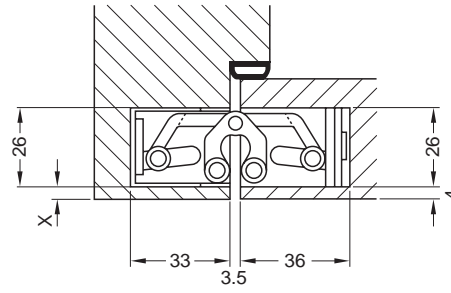
	▶	73
	▶	73
	▶	73
	▶	72

5

TECTUS TE 520 3D



- /
- /
- **100kg**以下 (丁番2個使用時)
- **155mm**
- **34mm**以上
- **180°**
- **24mm**
- **30mm**
- ±3mm
- ±3mm
- ±1mm
-
-



A =
 B =
X = A - B + 4
 X 4 - 6.5mm

X = 5mm

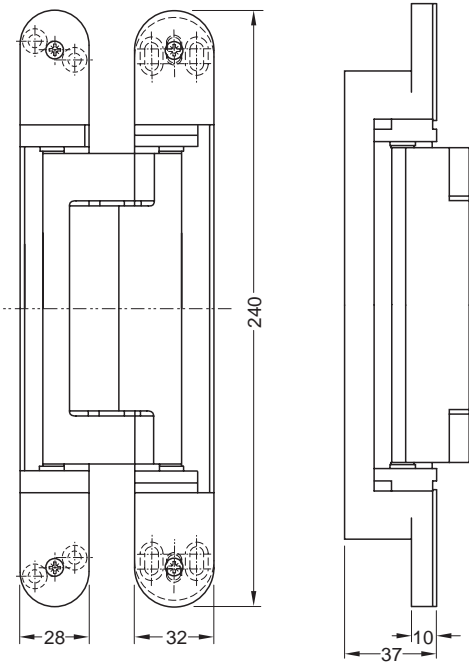
SUS304		924.02.233	2
--------	--	------------	---

2

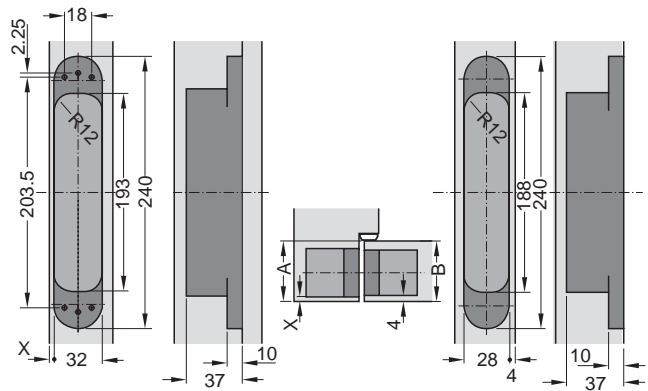
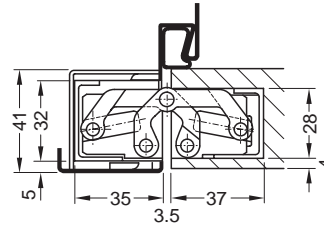
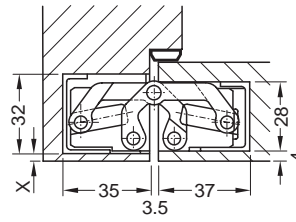
	▶	73
	▶	73
	▶	73
	▶	72

5

TECTUS TE 630 3D



- /
- /
- **200kg**以下（丁番**2**個使用時）
- **240mm**
- **40mm**以上
- **180°**
- **24mm**
- **30mm**
- ±3mm
- ±3mm
- ±1mm
-
-



A =
 B =
X = A - B + 3
 X 3 - 5mm

X = 5mm

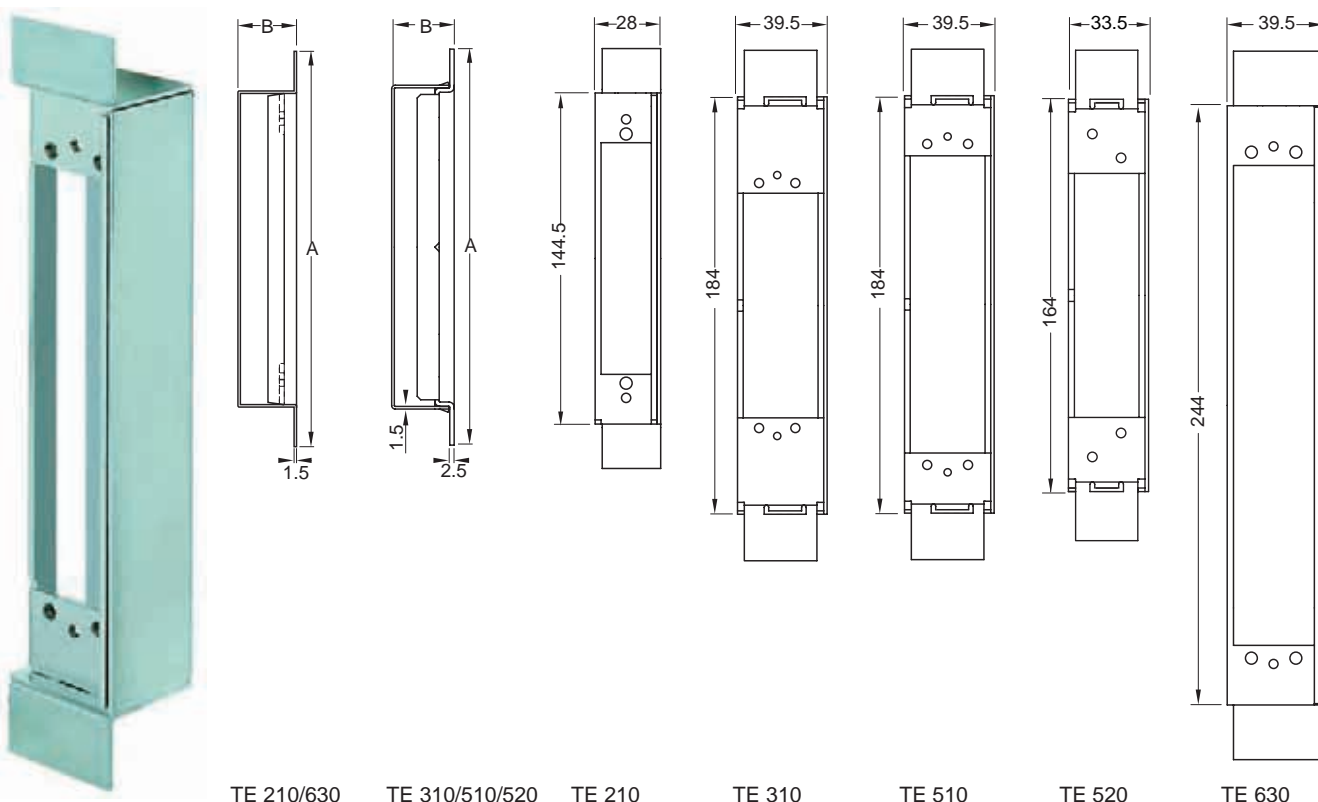
		924.08.421 2
		924.08.422 2
		924.08.404 2

2

	▶	73
	▶	73
	▶	73
	▶	72

5

TECTUS TE 210/310/510/520/630 3D SZ



5

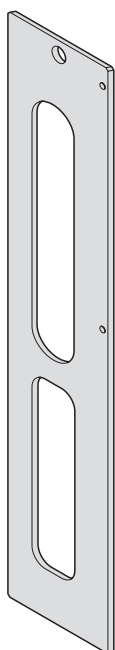
- TECTUS TE 210/310/510/520/630 3D
-

			A	B	
TECTUS TE 210 3D			180mm	24.5mm	924.08.290 2
TECTUS TE 310 3D			225mm	35.5mm	924.04.890
TECTUS TE 510 3D			225mm	35.5mm	924.05.090
TECTUS TE 520 3D			205mm	32.5mm	924.05.083 2
TECTUS TE 630 3D			285mm	35.5mm	924.08.690 2

10

TECTUS TE 210 3D	▶	67
TECTUS TE 310 3D	▶	68
TECTUS TE 510 3D	▶	69
TECTUS TE 520 3D	▶	70
TECTUS TE 630 3D	▶	71

TECTUS TE 210/310/510/520/630 3D



- TECTUS TE 210 3D **16mm**
- TECTUS TE 310/510/520/630 3D **24mm**
- TECTUS TE 630 3D **30mm**

TECTUS TE 210 3D		924.08.300	2
		924.08.301	2
TECTUS TE 310 3D		924.02.100	
		924.02.101	
TECTUS TE 510 3D		924.02.300	
		924.02.301	
TECTUS TE 520 3D		924.02.320	2
TECTUS TE 630 3D	1	924.08.700	2
	2	924.08.702	2
	1	924.08.701	2
	2	924.08.703	2

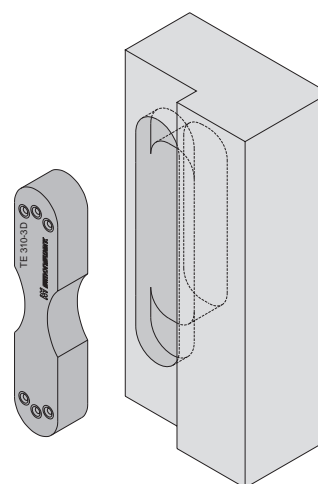


TECTUS TE 210/310/510/520/630 3D



- TECTUS 1
- Ø3mm 1

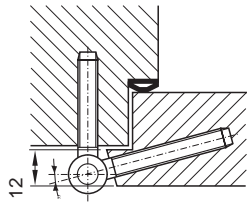
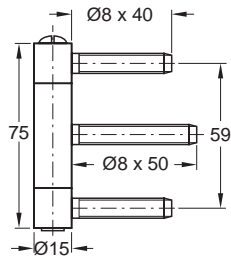
TECTUS TE 210 3D	924.08.310	2
TECTUS TE 310 3D	924.02.110	
TECTUS TE 510 3D	924.02.310	
TECTUS TE 520 3D	924.02.330	2
TECTUS TE 630 3D	924.08.710	2



TECTUS TE 210 3D	▶	67
TECTUS TE 310 3D	▶	68
TECTUS TE 510 3D	▶	69
TECTUS TE 520 3D	▶	70
TECTUS TE 630 3D	▶	71

5

BAKA C 1-15 WF

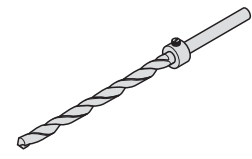


-
- **65kg以下 (丁番2個使用時)**
- **15mm**
- **6.8mm**
-
-

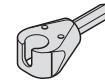
		922.10.303	2
		922.10.370	2
		922.10.390	2

2 20

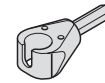
BAKA 13/15



Ø6.8mm



13mm



15mm

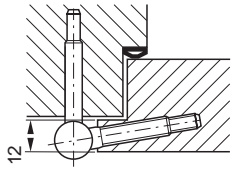
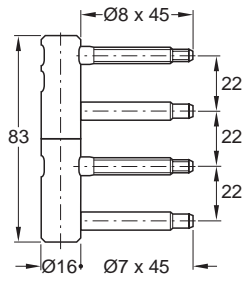
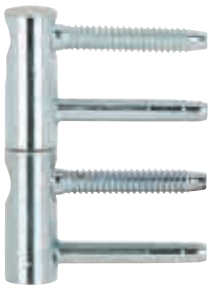
-
- **BAKA C 1-15 WF**
-
- Ø6.8mm 1
- 13mm 1
- 15mm 1

BAKA 13/15	922.15.504	2
------------	------------	---

1. 3mm
2. 6.8mm
3. 15mm
- 4.



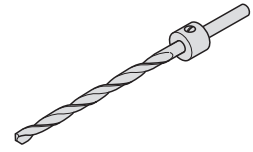
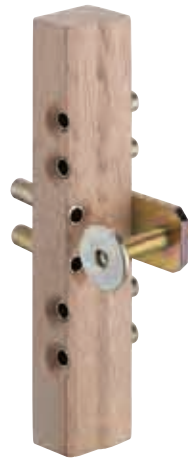
StarTec FI 4



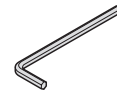
-
- **60kg以下 (丁番2個使用時)**
- **16mm**
- **7mm**
- +3/-2mm
- +4mm
- +3/-2mm
-
-

		922.24.390	2
2	12		

StarTec FI 4



Ø7mm

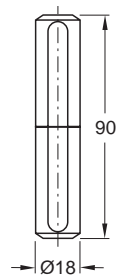


-
-
- Ø7mm
- 2
- 1
- 1
- 1
- 1

		922.24.804	2
--	--	------------	---

5

StarTec FI 4



			922.24.926	2
			922.24.922	2
			922.24.928	2
			922.24.927	2
2	4	20	40	